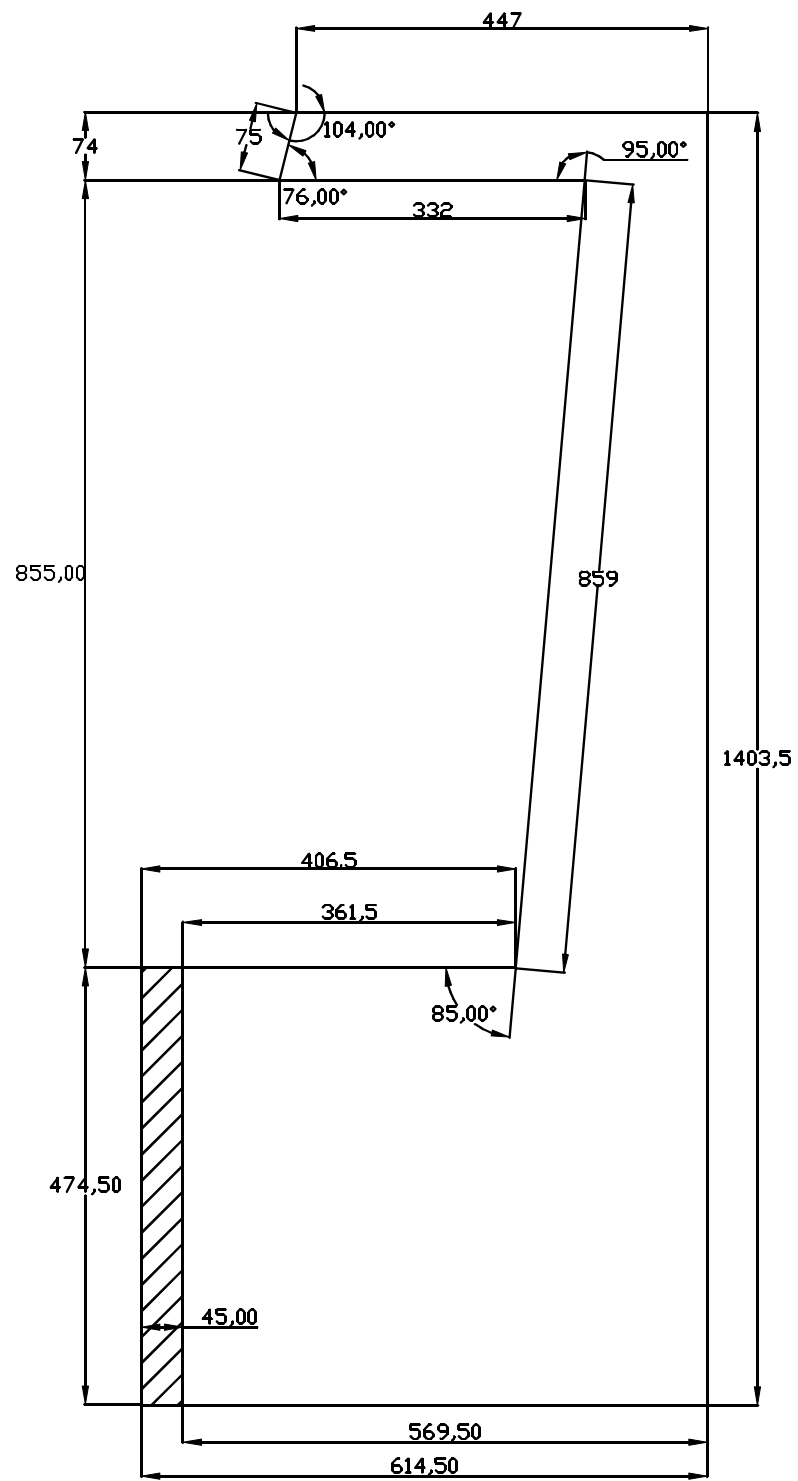



LEFT SIDE



RIGHT SIDE

| | |
|--|--------------|
| TEFCOLD  | Date: 191221 |
| Model: ODC60 | Rev. no.: 01 |
| Drawing | Rev. by: rfj |
| Drawing no.: | |